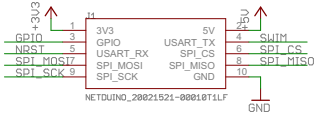
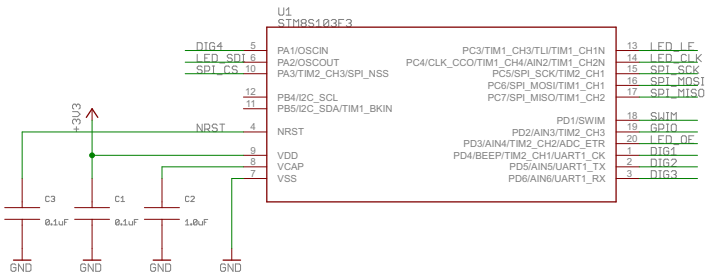


golbus Connector

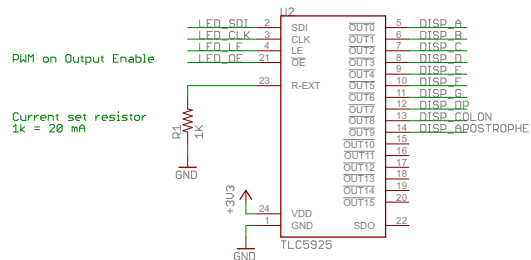


STM8S103/003 Microcontroller



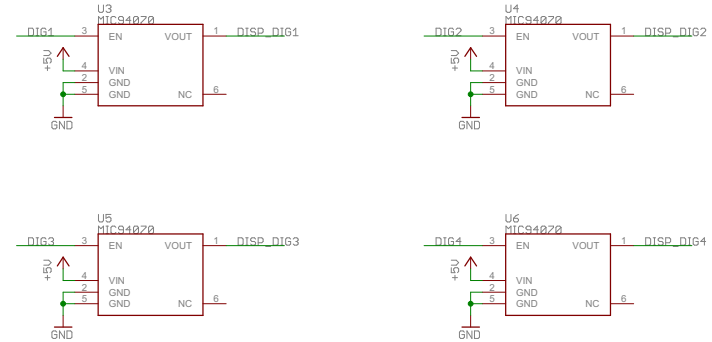
TI TLC5925 Constant Current LED Sink Driver

Regulates the current through each LED.

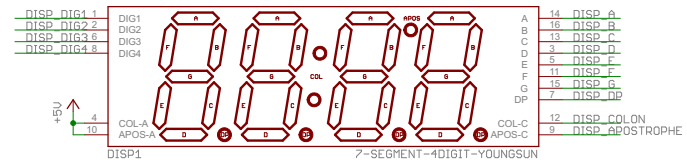


High-side integrated load switches

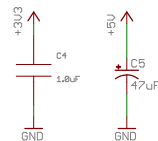
MIC94070 is a fast, inexpensive high-side load switch, used here for digit multiplexing.



LED Display



Decoupling/Smoothing Caps



- M1 NETDUINO_HT6328H700NP
- M2 NETDUINO_HT6328H700NP
- M3 NETDUINO_HT6328H700NP
- M4 NETDUINO_HT6328H700NP

TITLE: Seven Segment Display Module	
FILE: Main	
Matt Isenhower, Komodex Systems LLC http://komodex.com	REV: A
DATE: 7/23/2012 9:44:56 AM	SHEET: 1/1